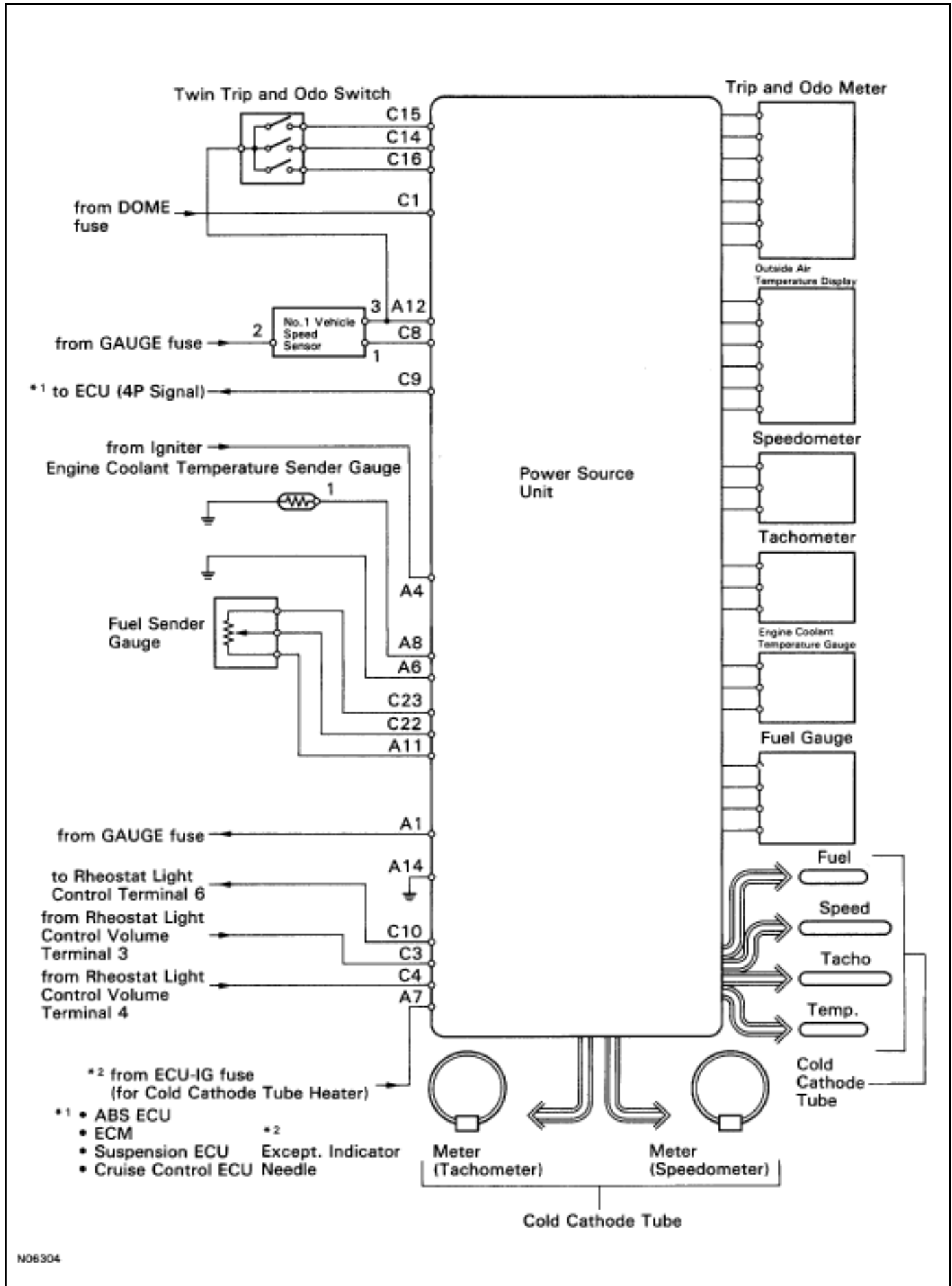
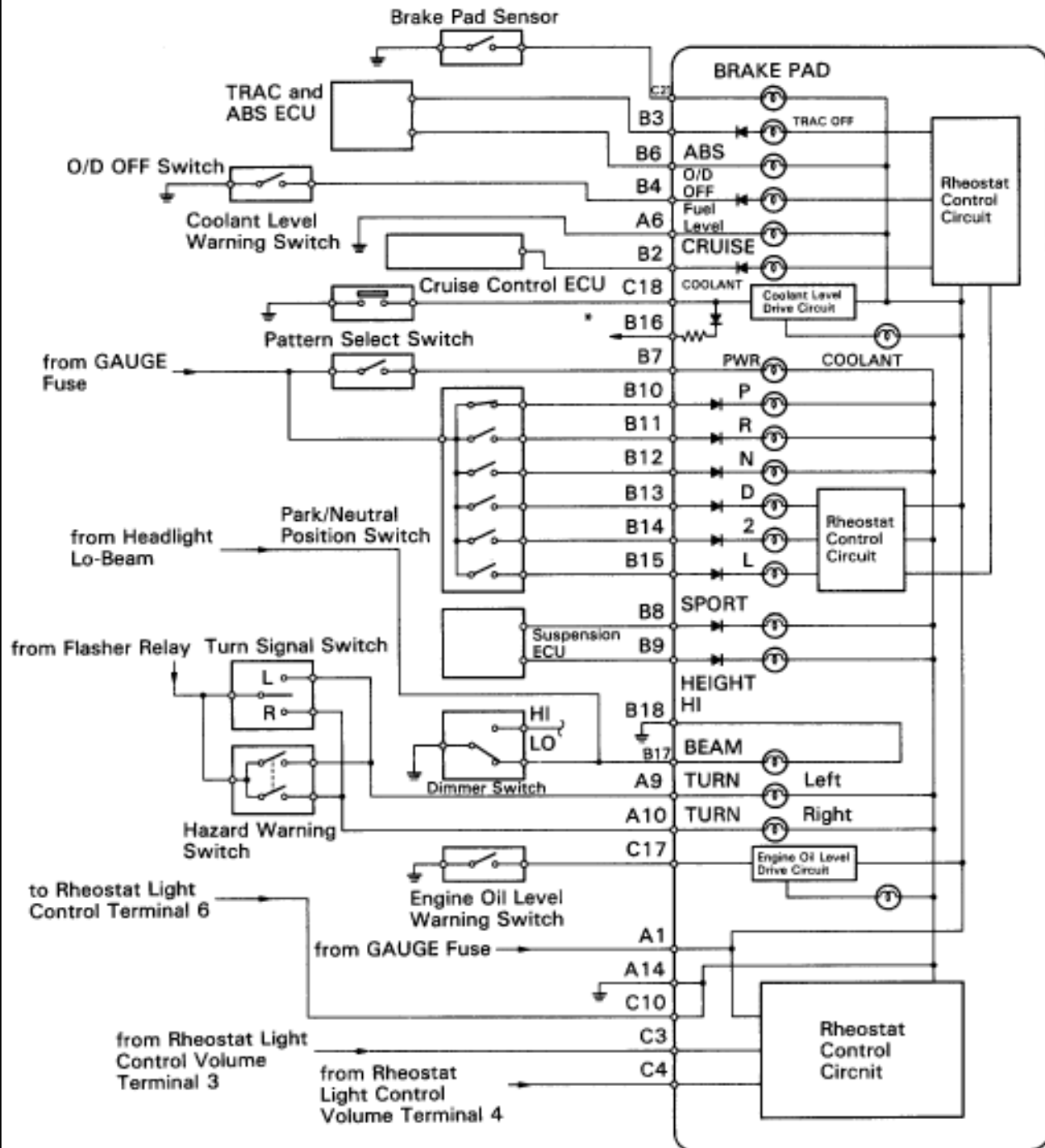


WIRING DIAGRAM

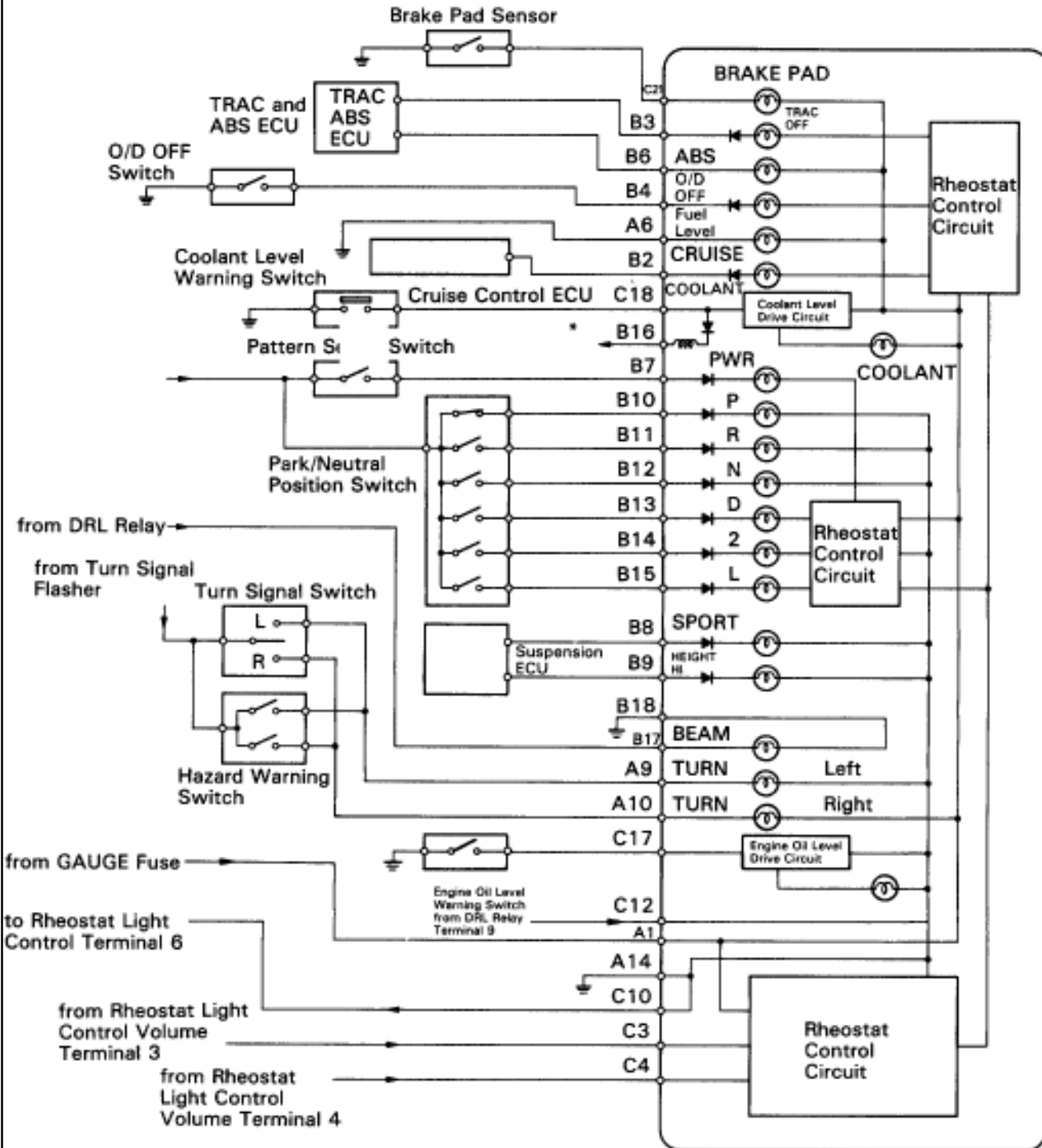


Combination Meter/Warning Lights and Indicator Light/USA



* Alternator L terminal

Combination Meter/Warning Lights and Indicator Light/CANADA



* Alternator L terminal

Meter Cluster/Warning Lights and Twin Trip and Odo Switch

